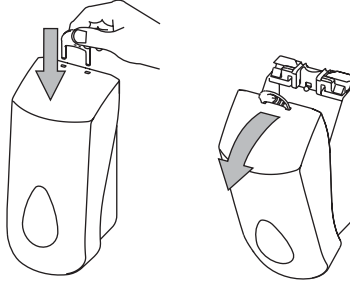


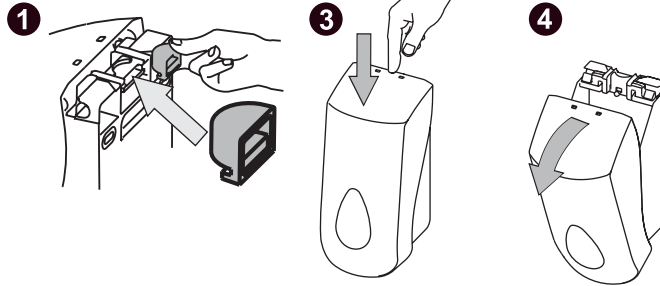
Installation Instructions

Modular
Soap
Dispenser

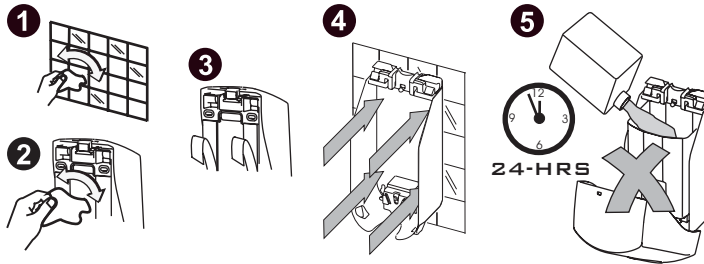
1A



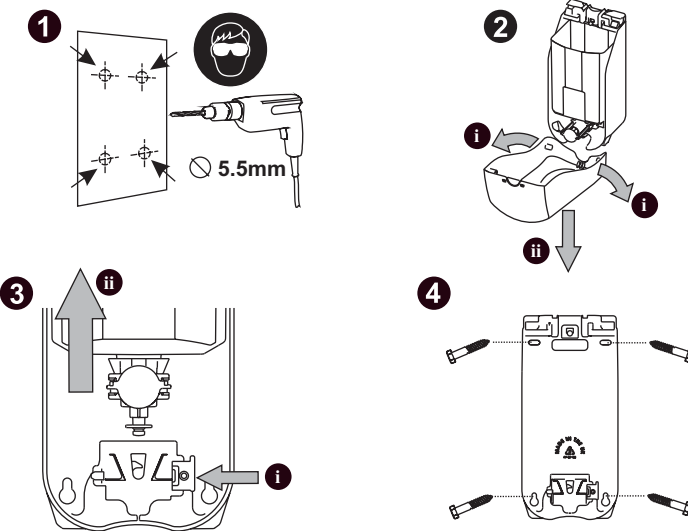
1B

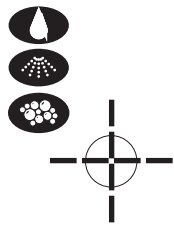


2A



2B





User Instructions



Modular
Soap
Dispenser

